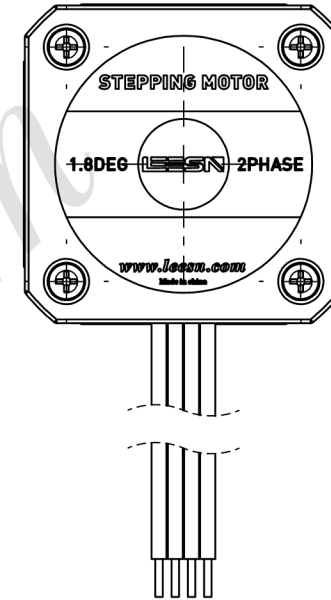
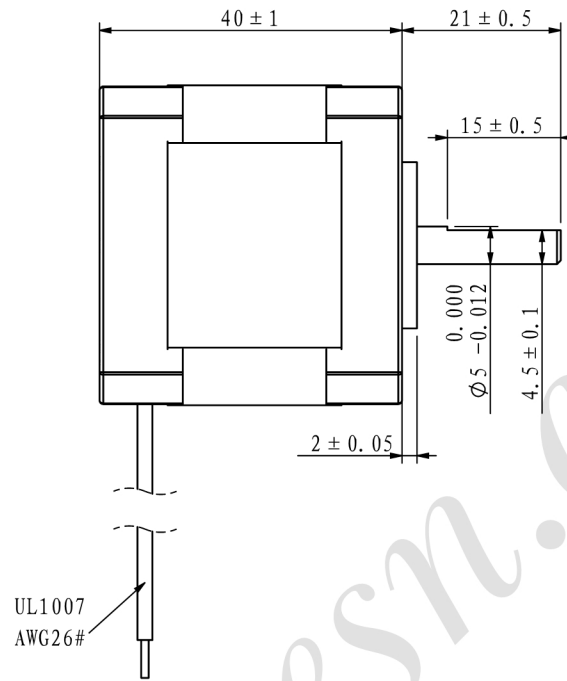
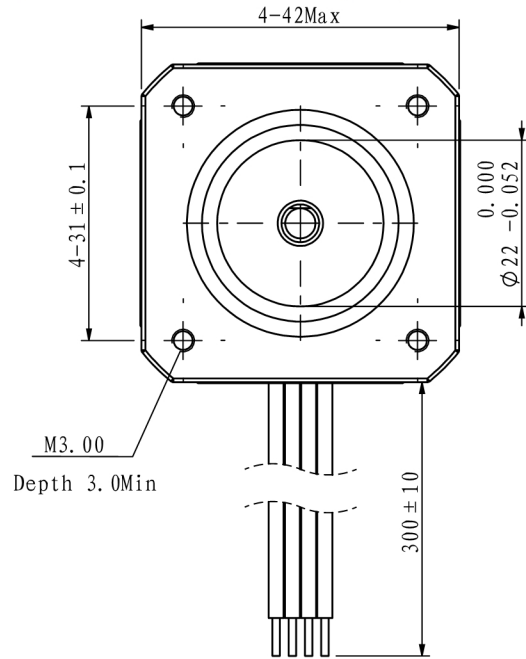


※ 尺寸/Dimensions 单位/Unit : (mm)

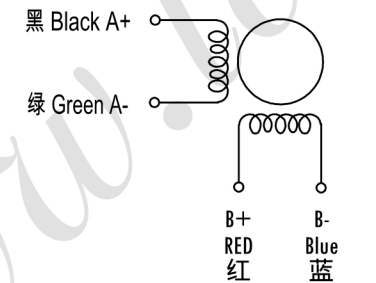


RoHS COMPLIANT CE

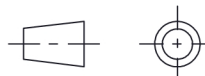
※ 电机规格/Motor Specification

|                                       |                        |
|---------------------------------------|------------------------|
| 相数/No. of phase                       | 2 相/phase              |
| 步距角/Basic step angle                  | 1.8°                   |
| 步距角误差(空载)Positional accuracy(no-load) | ±0.09° 以下/Max          |
| 额定电流/Rated current                    | 1.5 A                  |
| 保持扭矩/Holding torque                   | 0.4 N.m                |
| 相电阻/Phase resistance                  | 2.0 ± 10% ohm(20°C)    |
| 相电感/Phase inductance                  | 4.2 ± 20% mH(1KHz)     |
| 转子惯量/Rotor inertia                    | ≈ 57 g.cm <sup>2</sup> |
| 重量/Weight                             | ≈ 0.28 Kg              |
| 绝缘耐压/Dielectric strength              | 500V A.C               |
| 绝缘电阻/Insulation resistance            | 100MΩ以上/MIN            |
| 绝缘等级/Insulation class                 | B                      |
| 使用温度范围/Operation ambient temperature  | 0°C~+50°C              |
| 使用湿度范围/Operation ambient humidity     | 20%RH~90%RH            |
| 使用温度范围/Storage ambient temperature    | -20°C~+70°C            |
| 保存湿度范围/Storage ambient humidity       | 15%RH~95%RH            |

※ 接线图/Wiring diagram



第一角画法  
Frist Angel View



※ 励磁顺序 ( 2相励磁 )

Phase sequence(2 phase exciting)

| Step | A | A- | B | B- |
|------|---|----|---|----|
| 1    | + | +  | - | -  |
| 2    | - | +  | + | -  |
| 3    | - | -  | + | +  |
| 4    | + | -  | - | +  |
| 5    | + | +  | - | -  |

CW (Clockwise) and CCW (Counter-clockwise) directions are indicated.

※ 铭牌内容

Label discription

|                                  |                              |               |
|----------------------------------|------------------------------|---------------|
| 名称/Name                          | 型号/Model                     | LS42A04-B2B15 |
| 两相步进电机<br>2 phase stepping motor | 品号/Product No.               |               |
| 公差<br>Tolerance                  | 比例<br>Scale                  | 页码<br>Sheet   |
| ±0.3                             | 1:1                          | 1/1           |
| 客户型号<br>Customer model           | 客户品号<br>Customer Product No. |               |

| 版本/Rev        | 日期/Date   | 变更内容/Revision record |
|---------------|-----------|----------------------|
| 制图<br>Drawn   | 2019/12/2 | 设计<br>Design         |
| 审核<br>Checked |           | 批准<br>Approved       |

**LEESN** 深圳市立三机电有限公司  
Shenzhen Lisan Machinery & Electric Co., Ltd