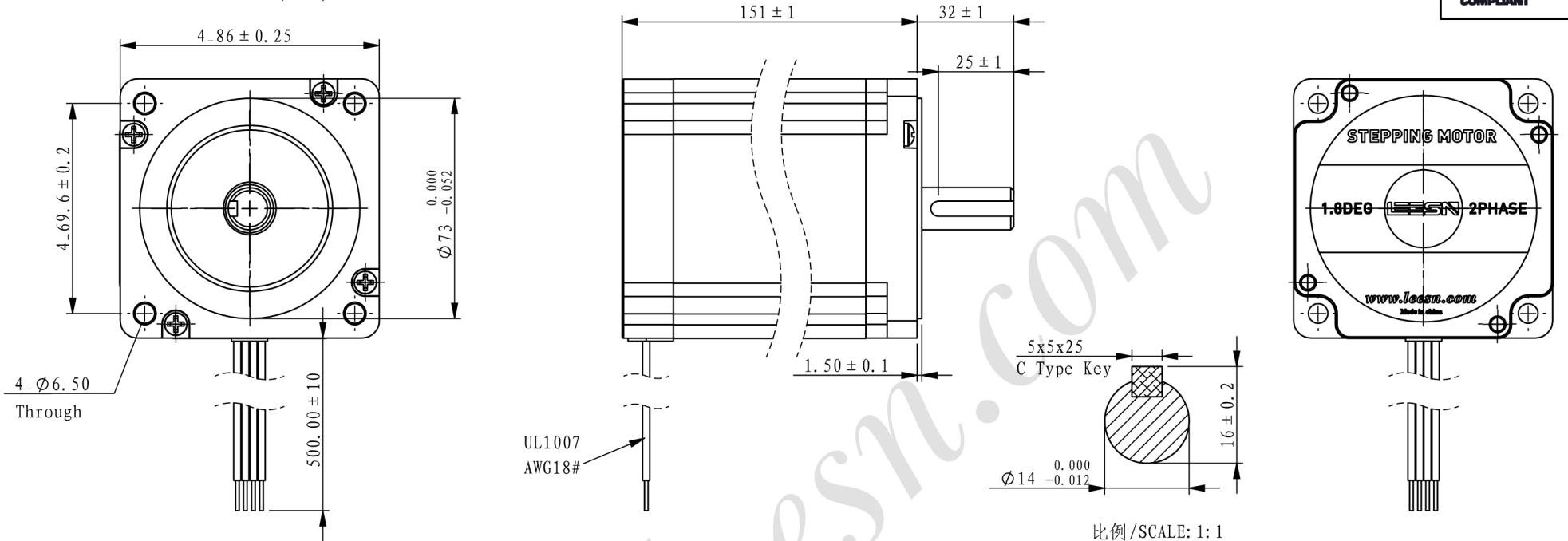


※ 尺寸/Dimensions 单位/Unit : (mm)

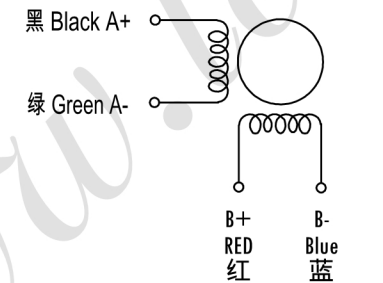
RoHS COMPLIANT CE



※ 电机规格/Motor Specification

|                                       |                          |
|---------------------------------------|--------------------------|
| 相数/No. of phase                       | 2 相/phase                |
| 步距角/Basic step angle                  | 1.8°                     |
| 步距角误差(空载)Positional accuracy(no-load) | ±0.09° 以下/Max            |
| 额定电流/Rated current                    | 6 A                      |
| 保持扭矩/Holding torque                   | 12.5 N.m                 |
| 相电阻/Phase resistance                  | 0.75 ± 10% ohm(20°C)     |
| 相电感/Phase inductance                  | 8.2 ± 20% mH(1KHz)       |
| 转子惯量/Rotor inertia                    | ≈ 4000 g.cm <sup>2</sup> |
| 重量/Weight                             | ≈ 5.2 Kg                 |
| 绝缘耐压/Dielectric strength              | 500V A.C                 |
| 绝缘电阻/Insulation resistance            | 100MΩ 以上/MIN             |
| 绝缘等级/Insulation class                 | B                        |
| 使用温度范围/Operation ambient temperature  | 0°C ~ +50°C              |
| 使用湿度范围/Operation ambient humidity     | 20%RH ~ 90%RH            |
| 使用温度范围/Storage ambient temperature    | -20°C ~ +70°C            |
| 保存湿度范围/Storage ambient humidity       | 15%RH ~ 95%RH            |

※ 接线图/Wiring diagram



※ 励磁顺序 (2相励磁)

Phase sequence(2 phase exciting)

| Step | A | A- | B | B- |
|------|---|----|---|----|
| 1    | + | +  | - | -  |
| 2    | - | +  | + | -  |
| 3    | - | -  | + | +  |
| 4    | + | -  | - | +  |
| 5    | + | +  | - | -  |

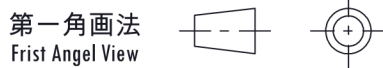
CW (Clockwise) and CCW (Counter-clockwise) directions are indicated.

※ 铭牌内容

Label discription

|                 |                                  |                              |                |
|-----------------|----------------------------------|------------------------------|----------------|
| 名称/Name         | 两相步进电机<br>2 phase stepping motor | 型号/Model                     | LS86A125-K4J60 |
| 品号/Product No.  |                                  | 客户型号<br>Customer model       |                |
| 公差<br>Tolerance | ±0.3                             | 页码<br>Sheet                  | 1/1            |
| 比例<br>Scale     | 1:2                              | 客户品号<br>Customer Product No. |                |

深圳市立三机电有限公司  
Shenzhen Lisan Machinery & Electric Co., Ltd



|               |           |                      |           |
|---------------|-----------|----------------------|-----------|
| 版本/Rev        | 日期/Date   | 变更内容/Revision record |           |
| 制图<br>Drawn   | 2019/12/3 | 设计<br>Design         | 2019/12/3 |
| 审核<br>Checked | 2019/12/3 | 批准<br>Approved       | 2019/12/3 |

LEESN® 深圳市立三机电有限公司  
立三机电 Shenzhen Lisan Machinery & Electric Co., Ltd